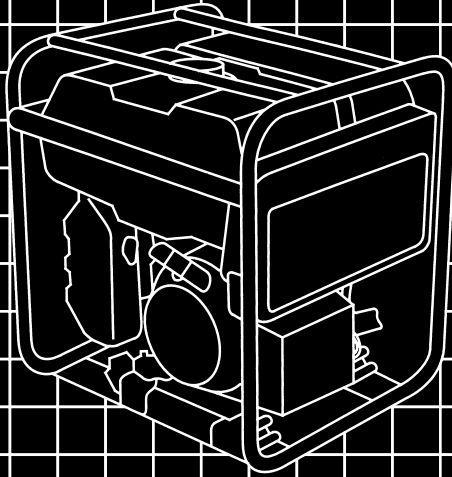


HONDA

Power

Equipment

Owner's Manual
GENERATOR
EB3000c





WARNING:



The engine exhaust from this product contains chemicals known to the State of California to cause cancer, birth defects or other reproductive harm.

▲WARNING

Exhaust contains poisonous carbon monoxide gas that can build up to dangerous levels in closed areas.

Breathing carbon monoxide can cause unconsciousness or death.

Never run the generator in a closed or even partially closed area where people may be present.

▲WARNING

The generator is a potential source of electrical shock if misused. Do not expose the generator to moisture, rain or snow. Do not let the generator get wet, and do not operate it with wet hands.

Keep this owner's manual handy, so you can refer to it at any time. This owner's manual is considered a permanent part of the generator and should remain with the generator if resold.

The information and specifications included in this publication were in effect at the time of approval for printing. Honda Motor Co., Ltd. reserves the right, however, to discontinue or change specifications or design at any time without notice and without incurring any obligation whatever. No part of this publication may be reproduced without written permission.

Congratulations on your selection of a Honda generator. We are certain you will be pleased with your purchase of one of the finest generators on the market.

We want to help you get the best results from your new generator and to operate it safely. This manual contains the information on how to do that; please read it carefully.

As you read this manual, you will find information preceded by a **NOTICE** symbol. That information is intended to help you avoid damage to your generator, other property, or the environment.

We suggest you read the warranty policy to fully understand its coverage and your responsibilities of ownership. The warranty policy is a separate document that should have been given to you by your dealer.

When your generator needs scheduled maintenance, keep in mind that your Honda servicing dealer is specially trained in servicing Honda generators. Your authorized Honda servicing dealer is dedicated to your satisfaction and will be pleased to answer your questions and concerns.

Best Wishes,
Honda Motor Co., Ltd.


A FEW WORDS ABOUT SAFETY

Your safety and the safety of others are very important. And using this generator safely is an important responsibility.

To help you make informed decisions about safety, we have provided operating procedures and other information on labels and in this manual. This information alerts you to potential hazards that could hurt you or others.

Of course, it is not practical or possible to warn you about all the hazards associated with operating or maintaining a generator. You must use your own good judgement.

You will find important safety information in a variety of forms, including:

- **Safety Labels** – on the generator.
- **Safety Messages** – preceded by a safety alert symbol  and one of three signal words, DANGER, WARNING, or CAUTION.

These signal words mean:

 **DANGER**

You **WILL** be **KILLED** or **SERIOUSLY HURT** if you don't follow instructions.

 **WARNING**

You **CAN** be **KILLED** or **SERIOUSLY HURT** if you don't follow instructions.

 **CAUTION**

You **CAN** be **HURT** if you don't follow instructions.

- **Safety Headings** – such as *IMPORTANT SAFETY INFORMATION*.
- **Safety Section** – such as *GENERATOR SAFETY*.
- **Instructions** – how to use this generator correctly and safely.

This entire book is filled with important safety information – please read it carefully.

GENERATOR SAFETY	5
Safety Label Locations	5
Important Safety Information	6
COMPONENT IDENTIFICATION	8
CONTROLS	10
Engine Switch	10
Starter Grip	10
Fuel Valve Lever	11
Choke Rod	11
AC Circuit Breaker	12
AC Circuit Protector	13
Output Indicator Light	14
DC Receptacle	15
DC Circuit Protector	15
Ground Terminal	16
Oil Alert® System	17
Ground Fault Circuit Interrupter (GFCI) Receptacle	18
GENERATOR USE	21
Connections to a Building Electrical System	21
Ground System	21
Special Requirements	21
AC Applications	22
AC Operation	23
DC Operation	24
High Altitude Operation	26
PRE-OPERATION CHECK	27
Engine Oil	27
Refueling	28
Fuel Recommendations	29
STARTING THE ENGINE	30
STOPPING THE ENGINE	31
MAINTENANCE	32
The Importance of Maintenance	32
Maintenance Safety	33
Emission Control System Information	34
Air Index	36
Maintenance Schedule	37
Engine Oil Change	38
Air Cleaner Service	39
Spark Plug Service	41
Fuel Sediment Cup Cleaning	43
Spark Arrester Maintenance	44

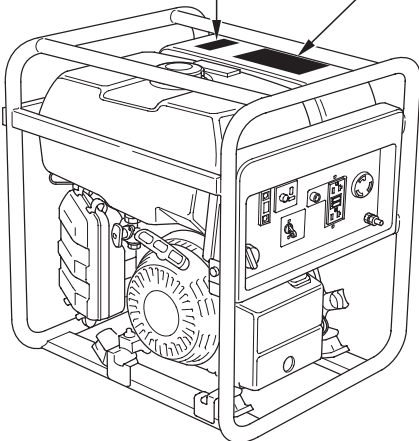
TRANSPORTING/STORAGE	45
Transporting	45
Storage	46
TROUBLESHOOTING	48
WIRING DIAGRAM	50
SPECIFICATIONS	51
WARRANTY SERVICE INFORMATION	52
Dealer Locator Information	52
Customer Service Information	52
Honda Publications	53
INDEX	54

GENERATOR SAFETY

SAFETY LABEL LOCATIONS

These labels warn you of potential hazards that can cause serious injury. Read them carefully.

If a label comes off or becomes hard to read, contact your Honda servicing dealer for a replacement.



CALIFORNIA TYPE

	WARNING GASOLINE IS HIGHLY FLAMMABLE AND EXPLOSIVE. YOU CAN BE BURNED OR SERIOUSLY INJURED WHEN HANDLING FUEL. STOP THE ENGINE AND KEEP HEAT, SPARKS, AND FLAME AWAY. HANDLE FUEL ONLY OUTDOORS. DO NOT FILL THE FUEL TANK ABOVE THE UPPER LIMIT LINE. WIPE UP SPILLS IMMEDIATELY.
	CARBON MONOXIDE GAS IS TOXIC. BREATHING IT CAN CAUSE UNCONSCIOUSNESS AND EVEN KILL YOU. AVOID ANY ENCLOSED AREAS OR ACTIVITIES EXPOSE YOU TO CARBON MONOXIDE.
	IMPROPER CONNECTIONS TO A BUILDING CAN ALLOW ELECTRICAL CURRENT TO BACKFEED INTO UTILITY LINES, CREATING AN ELECTROCUTION HAZARD. CONNECTIONS TO A BUILDING MUST ISOLATE GENERATOR POWER FROM UTILITY POWER AND COMPLY WITH ALL APPLICABLE LAWS AND ELECTRICAL CODES.
	THE GENERATOR IS A POTENTIAL SOURCE OF ELECTRICAL SHOCK IF NOT KEPT DRY. DO NOT EXPOSE THE GENERATOR TO MOISTURE, RAIN OR SNOW. DO NOT OPERATE THE GENERATOR WITH WET HANDS.
	CAUTION READ OWNER'S MANUAL CAREFULLY BEFORE OPERATION.

NON-CALIFORNIA TYPE

	WARNING GASOLINE IS HIGHLY FLAMMABLE AND EXPLOSIVE. YOU CAN BE BURNED OR SERIOUSLY INJURED IF THE GASOLINE IS IGNITED. STOP THE ENGINE AND KEEP HEAT, SPARKS AND FLAME AWAY. HANDLE FUEL ONLY OUTDOORS. DO NOT FILL THE FUEL TANK ABOVE THE UPPER LIMIT LINE. WIPE UP SPILLS IMMEDIATELY.
	EXHAUST CONTAINS POISONOUS CARBON MONOXIDE GAS THAT CAN BUILD UP TO DANGEROUS LEVELS IN CLOSED AREAS. BREATHING CARBON MONOXIDE CAN CAUSE UNCONSCIOUSNESS OR DEATH. NEVER RUN THE GENERATOR IN A CLOSED OR EVEN PARTLY CLOSED AREA WHERE PEOPLE MAY BE PRESENT.
	IMPROPER CONNECTIONS TO A BUILDING CAN ALLOW ELECTRICAL CURRENT TO BACKFEED INTO UTILITY LINES, CREATING AN ELECTROCUTION HAZARD. CONNECTIONS TO A BUILDING MUST ISOLATE GENERATOR POWER FROM UTILITY POWER AND COMPLY WITH ALL APPLICABLE LAWS AND ELECTRICAL CODES.
	THE GENERATOR IS A POTENTIAL SOURCE OF ELECTRICAL SHOCK IF NOT KEPT DRY. DO NOT EXPOSE THE GENERATOR TO MOISTURE, RAIN OR SNOW. DO NOT OPERATE THE GENERATOR WITH WET HANDS.
	CAUTION READ OWNER'S MANUAL CAREFULLY BEFORE OPERATION.

This product is not for sale in California.

IMPORTANT SAFETY INFORMATION

Honda generators are designed to give safe and dependable service if operated according to instructions. Read and understand this owner's manual before operating your generator. You can help prevent accidents by being familiar with your generator's controls, and by observing safe operating procedures.

Operator Responsibility

- Know how to stop the generator quickly in case of emergency.
- Understand the use of all generator controls, output receptacles, and connections.
- Be sure that anyone who operates the generator receives proper instruction. Do not let children operate the generator without parental supervision.

Carbon Monoxide Hazards

- Exhaust contains poisonous carbon monoxide, a colorless and odorless gas. Breathing carbon monoxide can cause loss of consciousness and may lead to death.
- If you run the generator in an area that is confined, or even partially enclosed area, the air you breathe could contain a dangerous amount of exhaust gas.
- Never run your generator inside a garage, house or near open windows or doors.

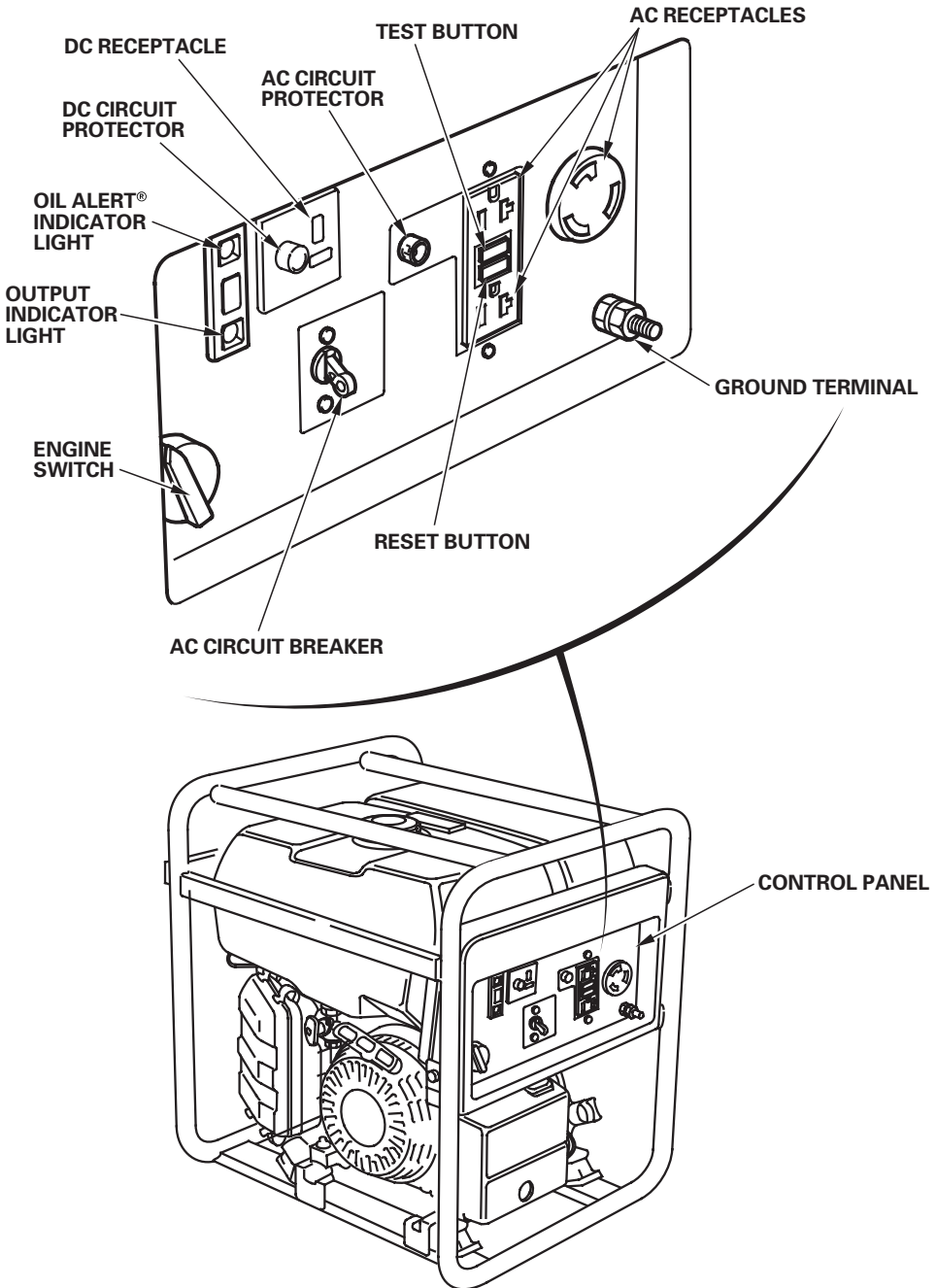
Electric Shock Hazards

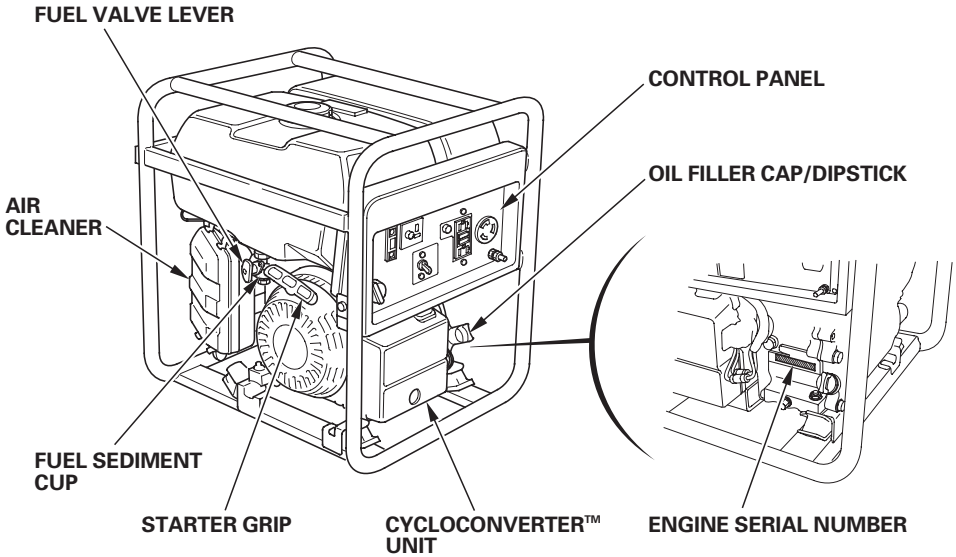
- The generator produces enough electric power to cause a serious shock or electrocution if misused.
- Using a generator or electrical appliance in wet conditions, such as rain or snow, or near a pool or sprinkler system, or when your hands are wet, could result in electrocution. Keep the generator dry.
- If the generator is stored outdoors, unprotected from the weather, check the Ground Fault Circuit Interrupter (GFCI) receptacle, and all other electrical components on the control panel before each use. Moisture or ice can cause a malfunction or short circuit in electrical components which could result in electrocution.
- Do not connect to a building electrical system unless an isolation switch has been installed by a qualified electrician.

Fire and Burn Hazards

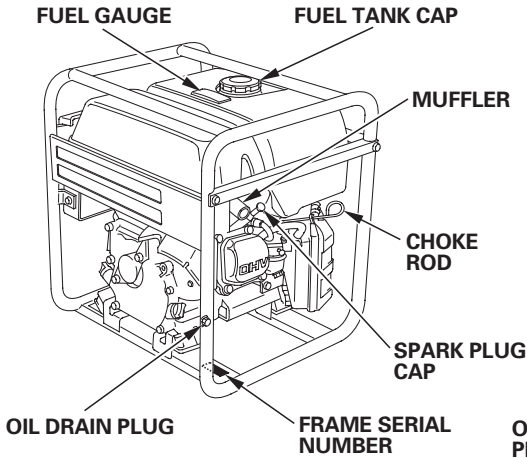
- The exhaust system gets hot enough to ignite some materials.
 - Keep the generator at least 3 feet (1 meter) away from buildings and other equipment during operation.
 - Do not enclose the generator in any structure.
 - Keep flammable materials away from the generator.
- The muffler becomes very hot during operation and remains hot for a while after stopping the engine. Be careful not to touch the muffler while it is hot. Let the engine cool before storing the generator indoors.
- Gasoline is extremely flammable and is explosive under certain conditions. Do not smoke or allow flames or sparks where the generator is refueled or where gasoline is stored. Refuel in a well-ventilated area with the engine stopped.
- Fuel vapors are extremely flammable and may ignite after the engine has started. Make sure that any spilled fuel has been wiped up before starting the generator.

COMPONENT IDENTIFICATION

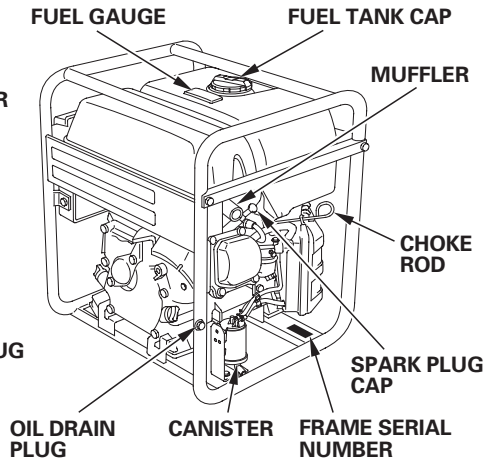




NON-CALIFORNIA TYPE



CALIFORNIA TYPE



Record the engine and frame serial numbers for your future reference. Refer to these serial numbers when ordering parts, and when making technical or warranty inquiries (see page 52).

Frame serial number: _____

Engine serial number: _____

CONTROLS

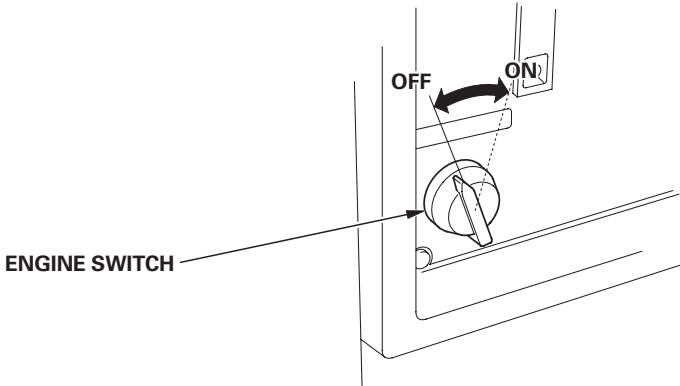
ENGINE SWITCH

To start and stop the engine.

Switch position:

OFF: To stop the engine.

ON: To start and run the engine.

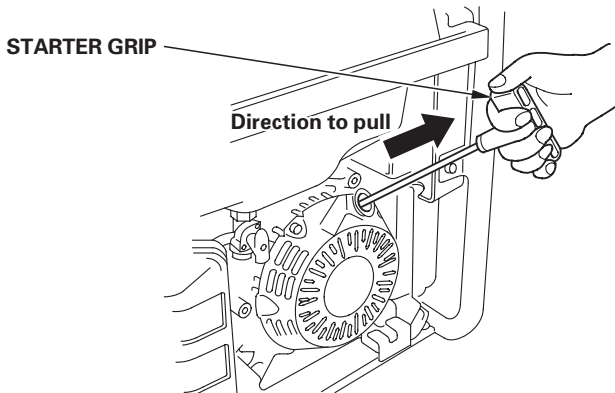


STARTER GRIP

To start the engine, pull the starter grip lightly until you feel resistance, then pull briskly in the direction of the arrow as shown below.

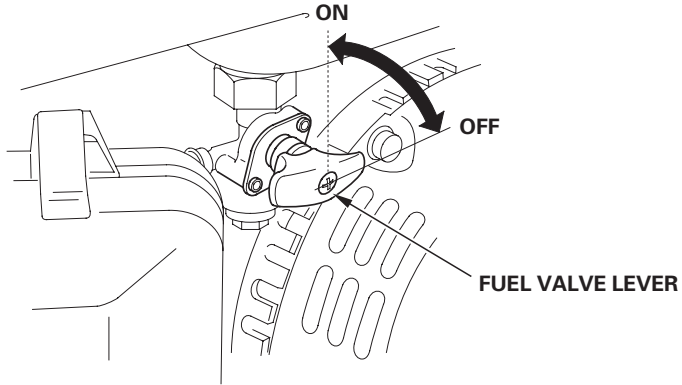
NOTICE

Do not allow the starter grip to snap back against the engine. Return it gently to prevent damage to the starter.



FUEL VALVE LEVER

The fuel valve is located between the fuel tank and carburetor. When the valve lever is in the ON position, fuel is allowed to flow from the fuel tank to the carburetor. Be sure to return the fuel valve lever to the OFF position after stopping the engine.

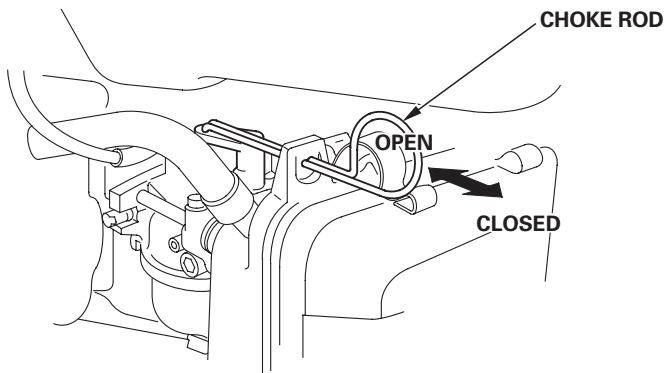


CHOKE ROD

The choke rod opens and closes the choke valve in the carburetor.

Pulling the choke rod to the CLOSED position enriches the fuel mixture for starting a cold engine.

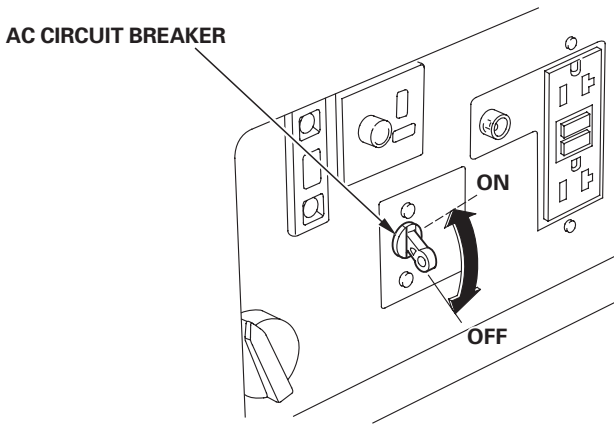
Pushing the choke rod to the OPEN position provides the correct fuel mixture for operation after starting, and for restarting a warm engine.



AC CIRCUIT BREAKER

The AC circuit breaker will automatically switch OFF if there is a short circuit or an overload of the generator at the AC receptacle. If the AC circuit breaker is switched OFF automatically, check that the appliance is working properly and does not exceed the rated load capacity of the AC circuit before switching the AC circuit breaker ON again.

The AC circuit breaker may be used to switch the generator AC power ON or OFF.

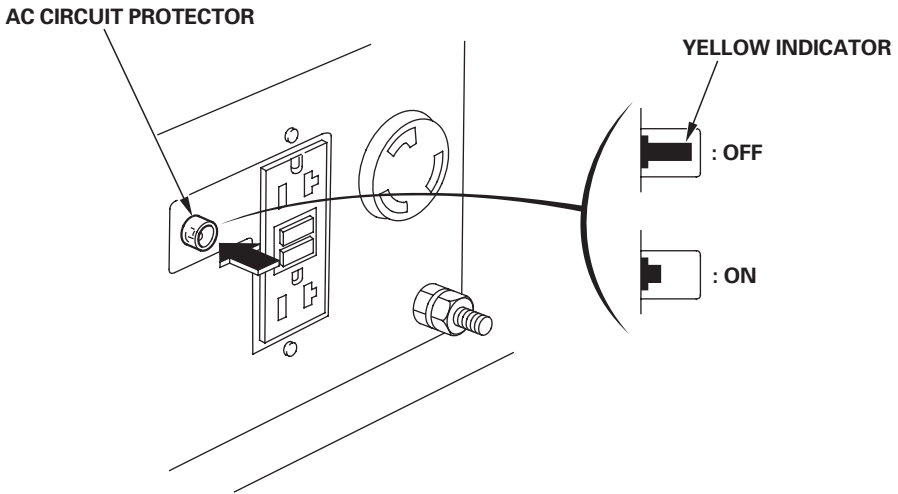


AC CIRCUIT PROTECTOR

The AC circuit protector will automatically shut off the AC output power if there is a short circuit or an overload of the generator at the 20A receptacle.

The yellow indicator inside the clear circuit protector button will pop out to show that the circuit protector has switched OFF. Wait a few minutes and push the button in to reset the circuit protector, and then restart the engine.

If the circuit protector is switched OFF, check that the appliance is working properly and does not exceed the rated load capacity of the circuit before switching the circuit protector ON again.



OUTPUT INDICATOR LIGHT

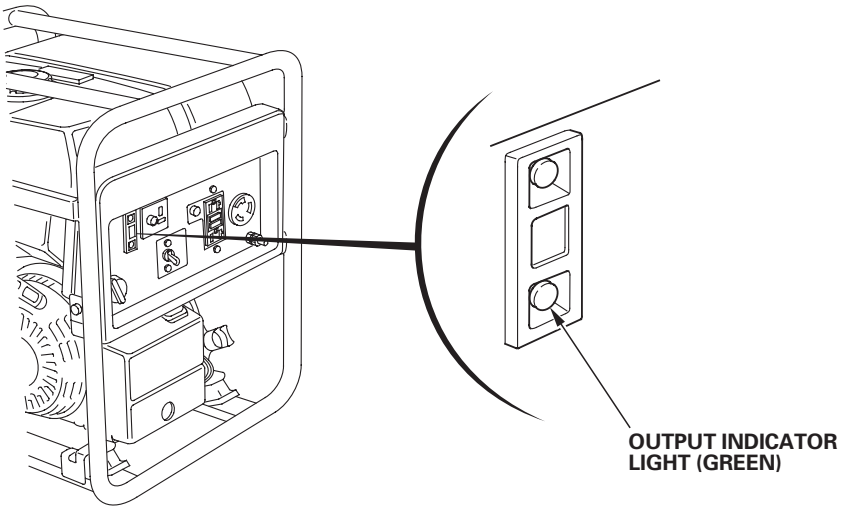
The output indicator light (green) will remain ON during normal operating conditions.

If there is a short circuit in a connected appliance or if the CycloConverter™ unit overheats, the output indicator light (green) blinks and current to the connected appliance(s) will shut off. When this happens, disconnect the appliance(s) and stop the engine to investigate the problem.

Determine if the cause is a short circuit in a connected appliance or an overheated CycloConverter unit. Correct the problem and restart the engine.

If the output indicator light (green) blinks again, consult your Honda generator dealer.

The output indicator light (green) may blink at intervals of 2.5 seconds depending on connected appliance(s) to the AC receptacles. It indicates that the output voltage has dropped slightly. It does not matter as long as the connected appliances work properly.



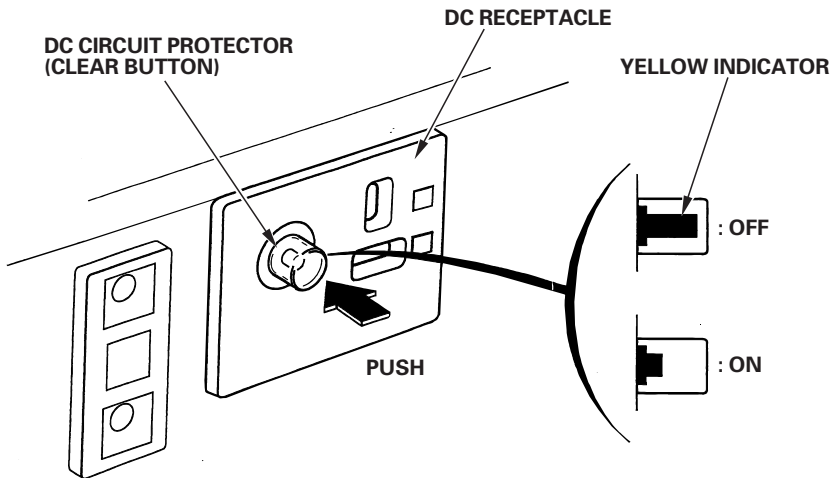
DC RECEPTACLE

The DC receptacle may ONLY be used for charging 12 volt automotive type batteries.

DC CIRCUIT PROTECTOR

The DC circuit protector automatically shuts off the DC battery charging circuit when the DC charging circuit is overloaded, when there is a problem with the battery, or when the connections between the battery and the generator are improper.

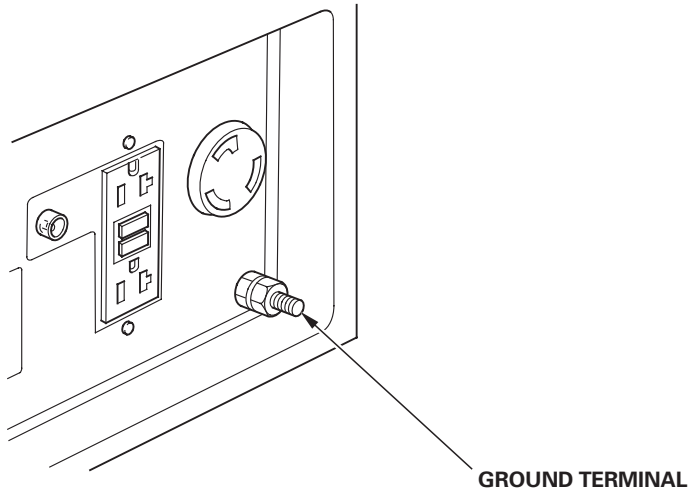
The yellow indicator inside the clear circuit protector button will pop out to show that the circuit protector has switched OFF. Wait a few minutes and push the button in to reset the circuit protector.



GROUND TERMINAL

The generator ground terminal is connected to the frame of the generator, the metal non-current-carrying parts of the generator, and the ground terminals of each receptacle.

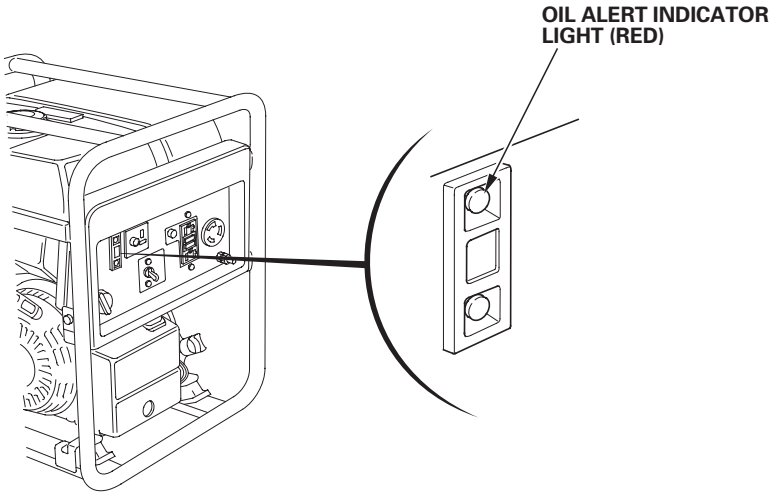
Before using the ground terminal, consult a qualified electrician, electrical inspector or local agency having jurisdiction for local codes or ordinances that apply to the intended use of the generator.



OIL ALERT® SYSTEM

The Oil Alert® system is designed to prevent engine damage caused by an insufficient amount of oil in the crankcase. Before the oil level in the crankcase can fall below a safe limit, the Oil Alert indicator light comes on and the Oil Alert system will automatically stop the engine (the engine switch will remain in the ON position).

If the engine stops or the Oil Alert indicator light comes on when you pull the starter grip, check the engine oil level (see page 27) before troubleshooting in other areas.



GROUND FAULT CIRCUIT INTERRUPTER (GFCI) RECEPTACLE

The 20-ampere, 120-volt duplex receptacle that has TEST and RESET buttons is protected by a Ground Fault Circuit Interrupter (GFCI) against the hazards of ground fault currents. An example of ground fault current is the current which would flow through a person who is using an appliance with faulty insulation and, at the same time, is in contact with an electrical ground such as a plumbing fixture, wet floor, or earth.

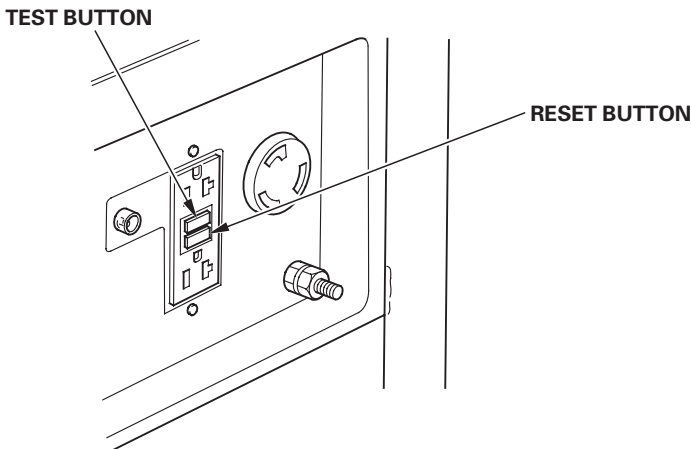
The ground fault circuit interrupter will not protect against short circuits or overloads. The circuit breaker in the control panel which supplies power to the circuit provides that protection (refer to circuit breaker on page 12).

The ground fault circuit interrupter can be identified by the TEST and RESET buttons. The duplex receptacle on the GFCI can be tested with the TEST and RESET buttons.

Test button: To test, depress the "TEST" button (see page 19).

Reset button: To restore power, depress the "RESET" button (see page 20).

Perform this test monthly to ensure proper operation of the GFCI. If the generator is stored outdoors, unprotected from the weather, test the GFCI receptacle before each use. Record your test on the GFCI test card provided on the fuel tank.



Inspection

Perform the tests below to ensure proper operation of the GFCI. Record your test on the GFCI test card provided on the generator.

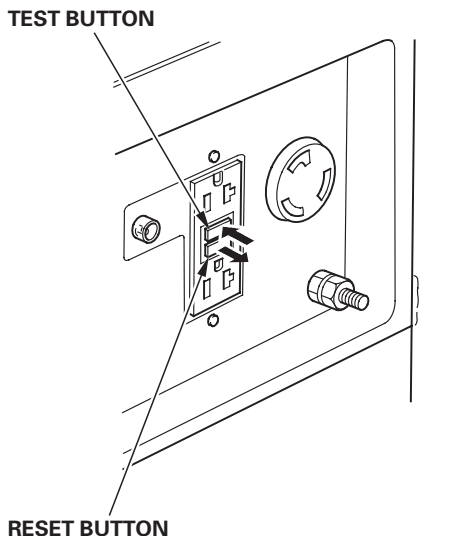
Before each use:

If the generator is stored outdoors, unprotected from the weather, test the GFCI receptacle before each use as described in the monthly inspection.

Monthly:

Under normal operating conditions, perform the GFCI test monthly.

1. Unplug all appliances from the generator.
2. Start the engine.
3. Turn the circuit breaker ON.
4. Press the TEST BUTTON
 - The RESET BUTTON should extend with a click.
 - If the RESET BUTTON does not extend, contact an authorized Honda generator dealer.



5. Press the RESET BUTTON

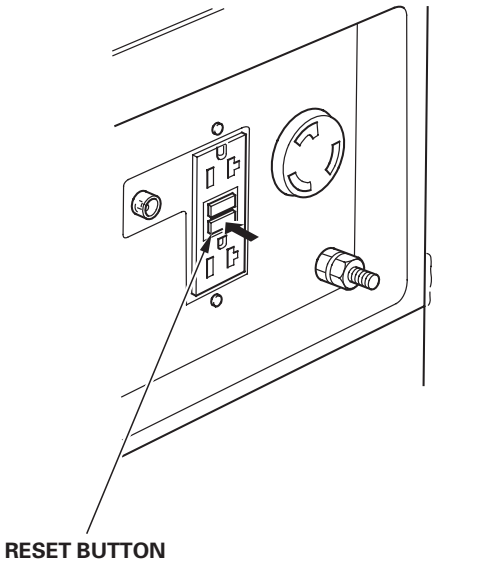
- The RESET BUTTON should be flush with the base.
- If the RESET BUTTON is not flush with the TEST BUTTON, contact an authorized Honda generator dealer.

6. When the RESET BUTTON extends during operation:

- Unplug all appliances from the GFCI protected receptacle.
- Press the RESET BUTTON:

If the GFCI cannot be reset: The GFCI is faulty. Contact an authorized Honda generator dealer.

If the GFCI resets properly: Check the appliance or the power cord.



CONNECTIONS TO A BUILDING ELECTRICAL SYSTEM

Connections for standby power to a building electrical system must be made by a qualified electrician. The connection must isolate the generator power from utility power, and must comply with all applicable laws and electrical codes. A transfer switch, which isolates generator power from utility power, is available through authorized Honda generator dealers.

▲WARNING

Improper connections to a building electrical system can allow electrical current from the generator to backfeed into the utility lines. Such backfeed may electrocute utility company workers or others who contact the lines during a power outage, and the generator may explode, burn, or cause fires when utility power is restored. Consult the utility company or a qualified electrician.

GROUND SYSTEM

Honda portable generators have a system ground that connects generator frame components to the ground terminals in the AC output receptacles. The system ground is not connected to the AC neutral wire. If the generator is tested by a receptacle tester, it will not show the same ground circuit condition as for a home receptacle.

SPECIAL REQUIREMENTS

There may be Federal or State Occupational Safety and Health Administration (OSHA) regulations, local codes, or ordinances that apply to the intended use of the generator. Please consult a qualified electrician, electrical inspector, or the local agency having jurisdiction.

- In some areas, generators are required to be registered with local utility companies.
- If the generator is used at a construction site, there may be additional regulations which must be observed.

AC APPLICATIONS

Before connecting an appliance or power cord to the generator:

- Make sure that it is in good working order. Faulty appliances or power cords can create a potential for electrical shock.
- If an appliance begins to operate abnormally, becomes sluggish or stops suddenly, turn it off immediately. Disconnect the appliance, and determine whether the problem is the appliance, or if the rated load capacity of the generator has been exceeded.
- Make sure that the electrical rating of the tool or appliance does not exceed that of the generator. Never exceed the maximum power rating of the generator. Power levels between rated and maximum may be used for no more than 30 minutes.

NOTICE

Substantial overloading will switch off the AC circuit breaker. Exceeding the time limit for maximum power operation or slightly overloading the generator may not switch the AC circuit breaker OFF, but will shorten the service life of the generator.

Limit operation requiring maximum power to 30 minutes.
Maximum power is:

3.0 kVA

For continuous operation, do not exceed the rated power.
Rated power is:

2.6 kVA

The total power requirements (VA) of all appliances connected must be considered. Appliance and power tool manufacturers usually list rating information near the model number or serial number.

AC OPERATION

1. Start the engine and make sure the output indicator light (green) comes on (see page 30).
2. Switch ON the AC circuit breaker.
3. Plug in the appliance.

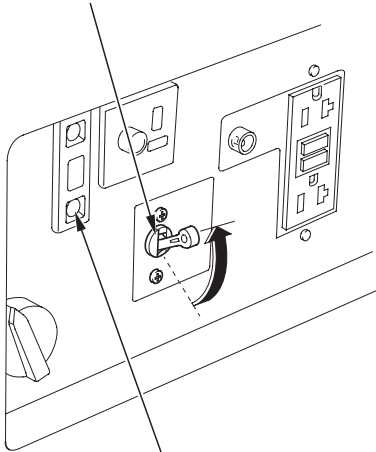
NOTICE

Be sure that all appliances are in good working order before connecting them to the generator. If an appliance begins to operate abnormally, becomes sluggish, or stops suddenly, turn off the engine switch immediately. Then disconnect the appliance and examine it for signs of malfunction.

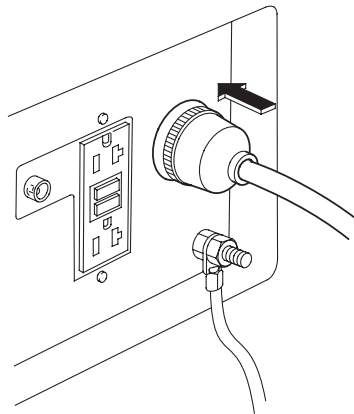
Most motorized appliances require more than their rated wattage for startup.

Do not exceed the current limit specified for any one receptacle. If an overloaded circuit causes the AC circuit breaker to switch OFF, reduce the electrical load on the circuit, wait a few minutes and then reset the AC circuit breaker.

AC CIRCUIT BREAKER



OUTPUT INDICATOR LIGHT (GREEN)



DC OPERATION

The DC receptacle should ONLY be used for charging 12-volt automotive type batteries. The DC charging output is not regulated.

Connecting the battery charging cable:

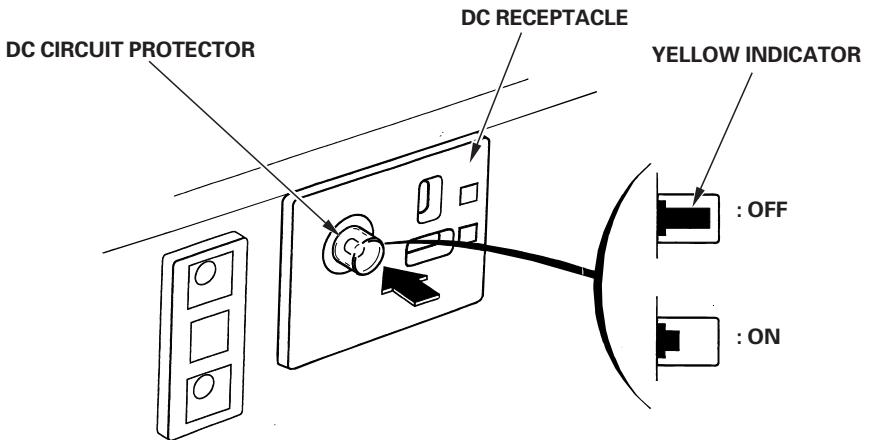
1. Before connecting the battery charging cable (optional equipment) to a battery that is installed in a vehicle, disconnect the vehicle battery ground cable from the negative (–) battery terminal.

▲WARNING

The battery gives off explosive gases; keep sparks, flames and cigarettes away. Provide adequate ventilation when charging or using batteries.

WARNING: Battery posts, terminals and related accessories contain lead and lead components. **Wash hands after handling.**

2. Plug the battery charging cable into the DC receptacle of the generator.
3. Connect the red lead of the battery charging cable to the positive (+) battery terminal and the black lead to the negative (–) battery terminal.



4. Start the generator.

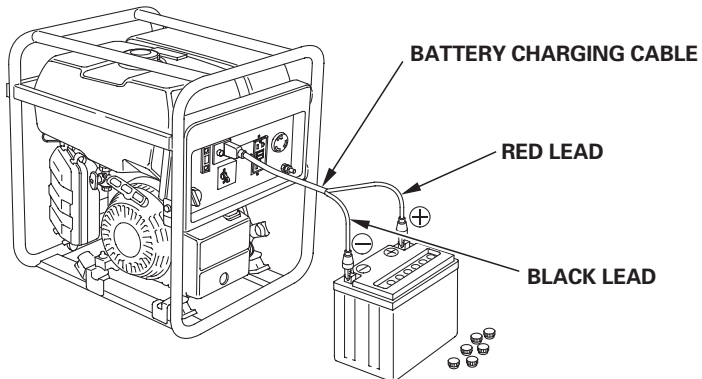
NOTICE

Do not start the vehicle while the battery charging cable is connected and the generator is running. The vehicle or the generator may be damaged.

An overloaded DC circuit, excessive current drawn by the battery, or a wiring problem will trip the DC circuit protector (the yellow indicator inside the clear circuit protector button will pop out). If this happens, wait a few minutes before pushing in the circuit protector button to resume operation. If the circuit protector continues to go OFF, discontinue charging and see your authorized Honda generator dealer.

Disconnecting the battery charging cable:

1. Stop the engine.
2. Disconnect the black lead of the battery charging cable from the battery negative (–) terminal.
3. Disconnect the red lead of the battery charging cable from the battery positive (+) terminal.
4. Disconnect the battery charging cable from the DC receptacle of the generator.
5. Connect the vehicle ground battery cable to the battery negative (–) terminal.



HIGH ALTITUDE OPERATION

At high altitude, the standard carburetor air-fuel mixture will be too rich. Performance will decrease, and fuel consumption will increase. A very rich mixture will also foul the spark plug and cause hard starting. Operation at an altitude that differs from that at which this engine was certified, for extended periods of time, may increase emissions.

High altitude performance can be improved by specific modifications to the carburetor. If you always operate your generator at altitudes above 5,000 feet (1,500 meters), have your servicing dealer perform this carburetor modification. This engine, when operated at high altitude with the carburetor modifications for high altitude use, will meet each emission standard throughout its useful life.

Even with carburetor modification, engine horsepower will decrease about 3.5% for each 1,000-foot (300-meter) increase in altitude. The effect of altitude on horsepower will be greater than this if no carburetor modification is made.

NOTICE

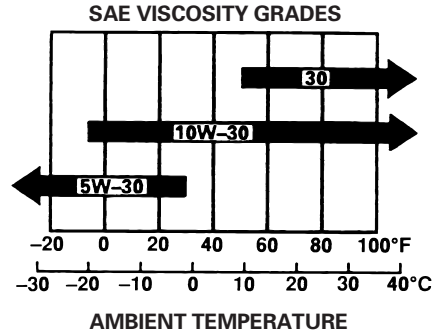
When the carburetor has been modified for high altitude operation, the air-fuel mixture will be too lean for low altitude use. Operation at altitudes below 5,000 feet (1,500 meters) with a modified carburetor may cause the engine to overheat and result in serious engine damage. For use at low altitudes, have your servicing dealer return the carburetor to original factory specifications.

PRE-OPERATION CHECK

ENGINE OIL

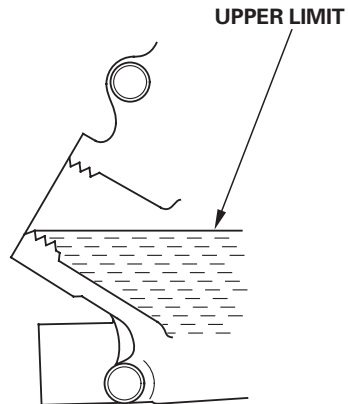
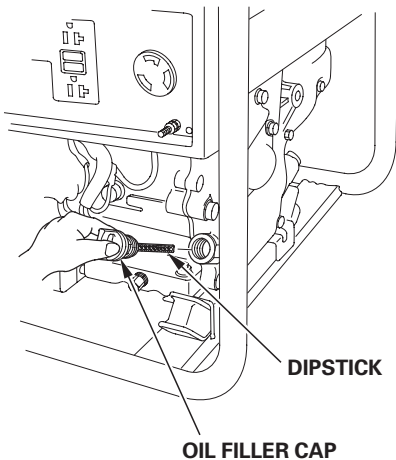
Check the oil level **BEFORE EACH USE** with the generator on a level surface and the engine stopped.

Use 4-stroke motor oil that meets or exceeds the requirements for API service classification SJ or later (or equivalent). Always check the API SERVICE label on the oil container to be sure it includes the letter SJ or later (or equivalent).



SAE 10W-30 is recommended for general, all-temperature use. Other viscosities shown in the chart may be used when the average temperature in your area is within the indicated range.

1. Position generator on a flat, level surface.
2. Remove the oil filler cap and wipe the dipstick clean.
3. Check the oil level by inserting the dipstick into the filler neck without screwing it in.
4. If the level is low, fill to the top of the oil filler neck with the recommended oil.



REFUELING

With the engine stopped, check the fuel level gauge. Refill the fuel tank if the fuel level is low.

Refuel carefully to avoid spilling fuel. Do not fill above the upper limit.

▲WARNING

Gasoline is highly flammable and explosive.

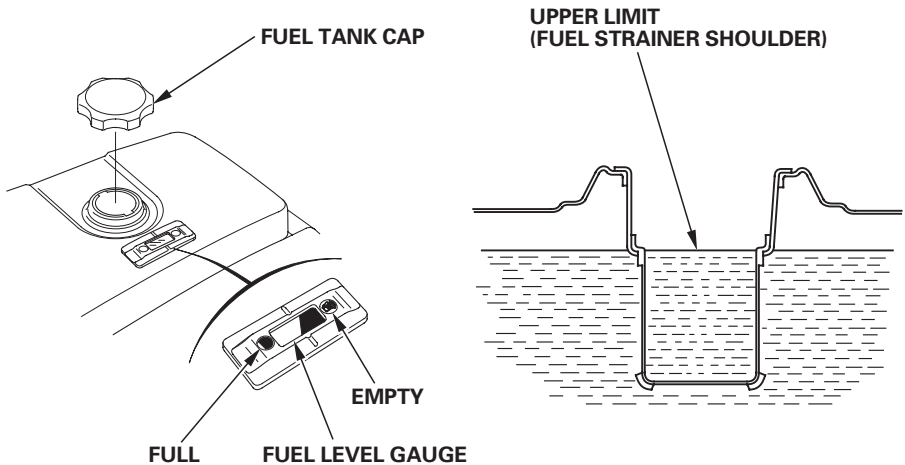
You can be burned or seriously injured when handling fuel.

- **Stop the engine and keep heat, sparks, and flame away.**
- **Handle fuel only outdoors.**
- **Wipe up spills immediately.**

NOTICE

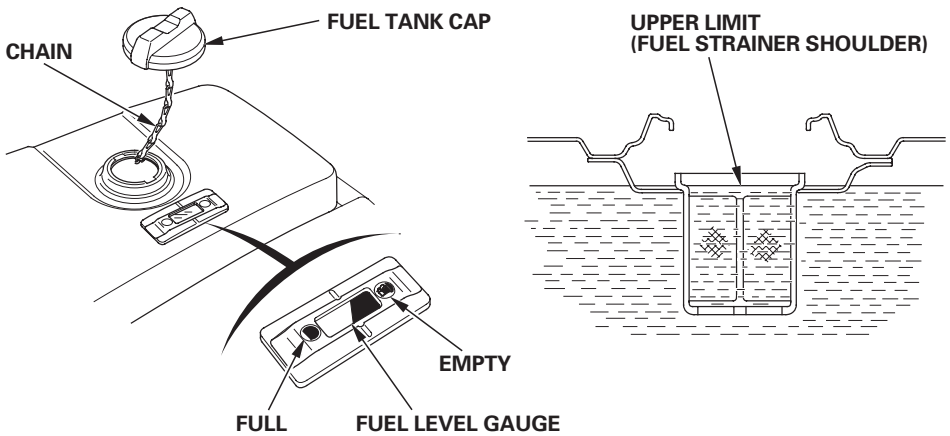
Fuel can damage paint and plastic. Be careful not to spill fuel when filling your fuel tank. Damage caused by spilled fuel is not covered under warranty.

NON-CALIFORNIA TYPE



After refueling, reinstall the fuel tank cap securely.

CALIFORNIA TYPE



After refueling, reinstall the fuel tank cap securely.

FUEL RECOMMENDATIONS

This engine is certified to operate on regular unleaded gasoline with a pump octane rating of 86 or higher.

Never use stale or contaminated gasoline or an oil/gasoline mixture. Avoid getting dirt or water in the fuel tank.

You may use regular unleaded gasoline containing no more than 10% Ethanol (E10) or 5% Methanol by volume. In addition, Methanol must contain cosolvents and corrosion inhibitors.

Use of fuels with content of Ethanol or Methanol greater than shown above may cause starting and/or performance problems. It may also damage metal, rubber, and plastic parts of the fuel system.

Engine damage or performance problems that result from using a fuel with percentages of Ethanol or Methanol greater than shown above are not covered under warranty.

STARTING THE ENGINE

STARTING THE ENGINE

For your safety, avoid starting or operating the generator in an enclosed area such as a garage. Your generator's exhaust contains poisonous carbon monoxide gas that can collect rapidly in an enclosed area and cause illness or death.

▲WARNING

Carbon monoxide gas is toxic. Breathing it can cause unconsciousness and even kill you.

Avoid any enclosed areas, partially enclosed areas or activities that may expose you to carbon monoxide.

1. Perform *PRE-OPERATION CHECK* (see page 27).
2. Make sure that all appliances are disconnected from the AC receptacles.
3. Turn the fuel valve lever to the ON position.
4. To start a cold engine, pull the choke rod out to the CLOSED position. To restart a warm engine, leave the choke rod in the OPEN position.
5. Turn the engine switch to the ON position.
6. Pull the starter grip lightly until you feel resistance, then pull briskly.

NOTICE

Do not allow the starter grip to snap back against the engine. Return it gently to prevent damage to the starter or housing.

7. If the choke rod was moved to the CLOSED position to start the engine, gradually push it to the OPEN position as the engine warms up.
8. Refer to the *AC OPERATION* (see page 23) or *DC OPERATION* (see page 24) for connecting loads to the generator.

STOPPING THE ENGINE

STOPPING THE ENGINE

In an emergency:

1. To stop the engine in an emergency, turn the engine switch to the OFF position.

In normal use:

1. Turn the AC circuit breaker to the OFF position.
2. Unplug appliances from the generator receptacles.
3. Turn the engine switch to the OFF position.
4. Turn the fuel valve lever to the OFF position.

MAINTENANCE

THE IMPORTANCE OF MAINTENANCE

Good maintenance is essential for safe, economical, and trouble free operation. It will also help reduce air pollution.

▲WARNING

Improper maintenance, or failure to correct a problem before operation, can cause a malfunction in which you can be seriously hurt or killed.

Always follow the inspection and maintenance recommendations and schedules in this owner's manual.

To help you properly care for your generator, the following pages include a maintenance schedule, routine inspection procedures, and simple maintenance procedures using basic hand tools. Other service tasks that are more difficult, or require special tools, are best handled by professionals and are normally performed by a Honda technician or other qualified mechanic.

The maintenance schedule applies to normal operating conditions. If you operate your generator under severe conditions, such as sustained high-load or high-temperature operation, or use it in unusually wet or dusty conditions, consult your servicing dealer for recommendations applicable to your individual needs and use.

Remember that your servicing dealer knows your generator best and is fully equipped to maintain and repair it.

To ensure the best quality and reliability, use only new, genuine Honda parts or their equivalents for repair or replacement.

Maintenance, replacement, or repair of the emission control devices and systems may be performed by any engine repair establishment or individual, using parts that are "certified" to EPA standards.

MAINTENANCE SAFETY

Some of the most important safety precautions follow. However, we cannot warn you of every conceivable hazard that can arise in performing maintenance. Only you can decide whether or not you should perform a given task.

▲WARNING

Failure to properly follow maintenance instructions and precautions can cause you to be seriously hurt or killed.

Always follow the procedures and precautions in the owner's manual.

Safety Precautions

- Make sure the engine is off before you begin any maintenance or repairs. This will eliminate several potential hazards:
 - **Carbon monoxide poisoning from engine exhaust.**
Be sure there is adequate ventilation whenever you operate the engine.
 - **Burns from hot parts.**
Let the engine and exhaust system cool before touching.
 - **Injury from moving parts.**
Do not run the engine unless instructed to do so.
- Read the instructions before you begin, and make sure you have the tools and skills required.
- To reduce the possibility of fire or explosion, be careful when working around gasoline. Use only a nonflammable solvent, not gasoline, to clean parts. Keep cigarettes, sparks, and flames away from all fuel-related parts.

EMISSION CONTROL SYSTEM INFORMATION

Source of Emissions

The combustion process produces carbon monoxide, oxides of nitrogen, and hydrocarbons. Control of hydrocarbons and oxides of nitrogen are very important because, under certain conditions, they react to form photochemical smog when subjected to sunlight. Carbon monoxide does not react in the same way, but it is toxic.

Honda utilizes appropriate air/fuel ratios and other emissions control systems to reduce the emissions of carbon monoxide, oxides of nitrogen and hydrocarbons.

The U.S. and California Clean Air Acts

EPA and California regulations require all manufacturers to furnish written instructions describing the operation and maintenance of emission control systems.

The following instructions and procedures must be followed in order to keep the emissions from your Honda engine within the emission standards.

Tampering and Altering

Tampering with or altering the emission control system may increase emissions beyond the legal limit. Among those acts that constitute tampering are:

- Removal or alteration of any part of the intake, fuel, or exhaust systems.
- Altering or defeating the governor linkage or speed-adjusting mechanism to cause the engine to operate outside its design parameters.

Problems That May Affect Emissions

If you are aware of any of the following symptoms, have your engine inspected and repaired by your servicing dealer.

- Hard starting or stalling after starting.
- Rough idle.
- Misfiring or backfiring under load.
- Afterburning (backfiring).
- Black exhaust smoke or high fuel consumption.

Replacement Parts

The emission control systems on your Honda engine were designed, built, and certified to conform with EPA and California emission regulations (models certified for sale in California). We recommend the use of genuine Honda parts whenever you have maintenance done. These original-design replacement parts are manufactured to the same standards as the original parts, so you can be confident of their performance. The use of replacement parts that are not of the original design and quality may impair the effectiveness of your emission control system.

A manufacturer of an aftermarket part assumes the responsibility that the part will not adversely affect emission performance. The manufacturer or rebuilder of the part must certify that use of the part will not result in a failure of the engine to comply with emission regulations.

Maintenance

Follow the *maintenance schedule* on page 37. Remember that this schedule is based on the assumption that your machine will be used for its designed purpose. Sustained high-load or high-temperature operation, or use in unusually wet or dusty conditions, will require more frequent service.

AIR INDEX

(Models certified for sale in California)

An Air Index Information hang tag/label is applied to engines certified to an emission durability time period in accordance with the requirements of the California Air Resources Board.

The bar graph is intended to provide you, our customer, the ability to compare the emissions performance of available engines. The lower the Air Index, the less pollution.

The durability description is intended to provide you with information relating to the engine's emission durability period. The descriptive term indicates the useful life period for the engine's emission control system. See your *Emission Control System Warranty* for additional information.

Descriptive Term	Applicable to Emission Durability Period
Moderate	50 hours (0–80 cc, inclusive) 125 hours (greater than 80 cc)
Intermediate	125 hours (0–80 cc, inclusive) 250 hours (greater than 80 cc)
Extended	300 hours (0–80 cc, inclusive) 500 hours (greater than 80 cc) 1,000 hours (225 cc and greater)

The Air Index Information hang tag must remain on the generator until it is sold. Remove the hang tag before operating the generator.

MAINTENANCE SCHEDULE

REGULAR SERVICE PERIOD (3)		Each use	First month or 20 Hrs.	Every 3 months or 50 Hrs.	Every 6 months or 100 Hrs.	Every year or 300 Hrs.
ITEM	Perform at every indicated month or operating hour interval, whichever comes first.					
Engine oil	Check level	○				
	Change		○		○	
Air filter	Check	○				
	Clean			○(1)		
	Replace					○(*)
Canister (California type)	Check	Every 2 years (Replace if necessary) (2)				
Purge tube (California type)	Check	Every 2 years (Replace if necessary) (2)				
Charge tube (California type)	Check	Every 2 years (Replace if necessary) (2)				
Sediment cup	Clean				○	
Spark plug	Check-adjust				○	
	Replace					○
Spark arrester	Clean				○	
Valve clearance	Check-adjust					○(2)
Combustion chamber	Clean	After every 500 Hrs (2)				
Fuel tank and filter	Clean					○(2)
Fuel tube	Check	Every 2 years (Replace if necessary) (2)				

NOTE: (*)Replace paper element type only.

(1)Service more frequently when used in dusty areas.

(2)These items should be serviced by an authorized Honda dealer, unless the owner has the proper tools and is mechanically proficient.

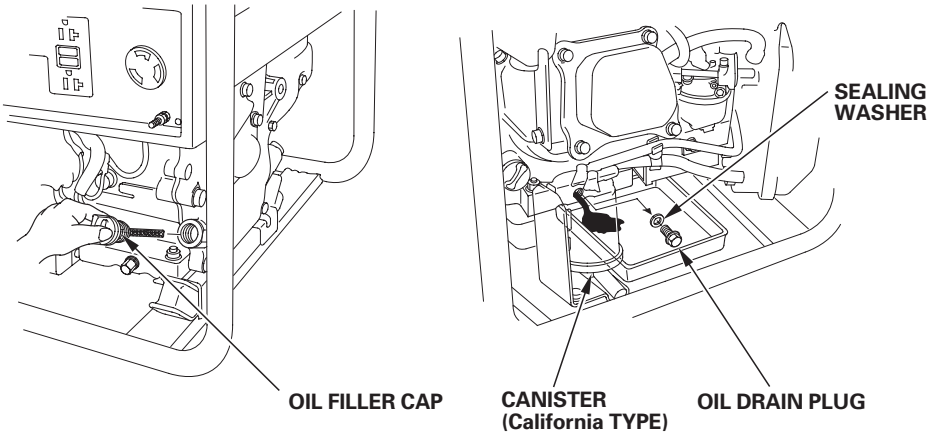
(3)For commercial use, log hours of operation to determine proper maintenance intervals.

Failure to follow this maintenance schedule could result in non-warrantable failures.

ENGINE OIL CHANGE

Drain the oil while the engine is warm to assure rapid and complete draining.

1. Place a suitable container below the engine to catch the oil, then remove the oil drain plug and sealing washer, remove the oil filler cap, and drain the oil.

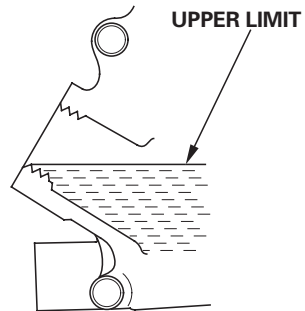


2. Reinstall the oil drain plug and sealing washer. Tighten the plug securely.

3. Refill with the recommended oil (see page 27) and check the oil level.

4. Reinstall the oil filler cap and tighten it securely.

Wash your hands with soap and water after handling used oil.



NOTICE

Improper disposal of engine oil can be harmful to the environment. If you change your own oil, please dispose of it properly. Put it in a sealed container, and take it to a recycling center. Do not discard it in a trash bin or dump it on the ground.

AIR CLEANER SERVICE

A dirty air filter will restrict air flow to the carburetor. To prevent carburetor malfunction, service the air cleaner regularly. Service more frequently when operating the generator in extremely dusty areas.

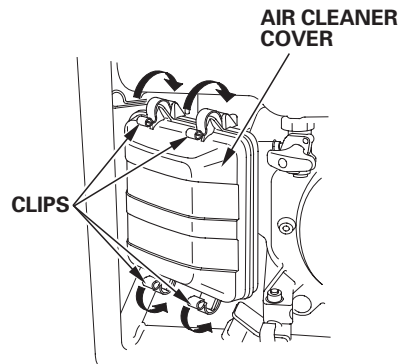
▲WARNING

Using gasoline or flammable solvent to clean the air filter can cause a fire or explosion. Use only soapy water or nonflammable solvent.

NOTICE

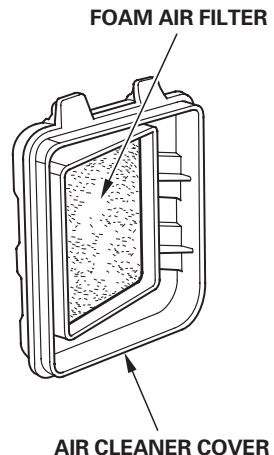
Operating the engine without an air filter, or with a damaged air filter, will allow dirt to enter the engine, causing rapid engine wear. This type of damage is not covered by the Distributor's Limited Warranty.

1. Unsnap the air cleaner cover clips, remove the air cleaner cover.



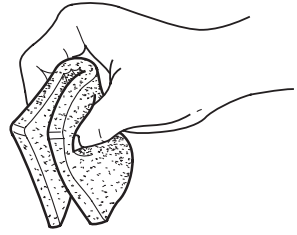
2. Foam air filter:
 - a. Remove the foam air filter from the air cleaner cover.

- b. Wash the foam air filter in a solution of household detergent and warm water, then rinse thoroughly, or wash in nonflammable or high flash point solvent. Allow the foam air filter to dry thoroughly.



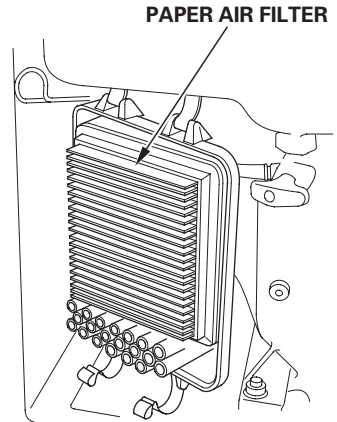
c. Soak the foam air filter in clean engine oil and squeeze out the excess oil. The engine will smoke during initial startup if too much oil is left in the foam air filter.

d. Reinstall the foam air filter to the air cleaner cover.



3. Paper air filter:

If the paper air filter is dirty, replace it with a new one. Do not clean the paper air filter.



4. Reinstall the air cleaner cover.



SPARK PLUG SERVICE

In order to service the spark plug, you will need a spark plug wrench (commercially available).

Recommended spark plugs: BPR6ES (NGK)
W20EPR-U (DENSO)

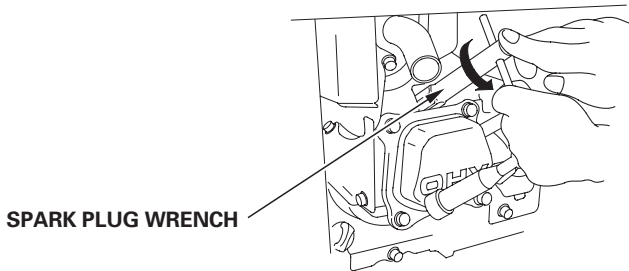
NOTICE

An incorrect spark plug can cause engine damage.

To ensure proper engine operation, the spark plug must be properly gapped and free of deposits.

If the engine has been running, the muffler will be very hot. Let it cool before servicing the spark plug.

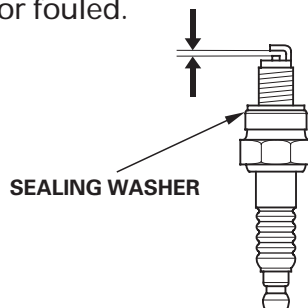
1. Remove the spark plug cap.
2. Clean any dirt from around the spark plug base.
3. Use a spark plug wrench to remove the spark plug.



4. Visually inspect the spark plug. Replace it if the electrodes are worn or if the insulator is cracked, chipped, or fouled.

5. Measure the plug gap with a wire-type feeler gauge. Correct as necessary by carefully bending the side electrode. The gap should be:

0.028–0.031 in (0.70–0.80 mm)



-
6. Check that the spark plug sealing washer is in good condition, and thread the spark plug in by hand to prevent cross-threading.
 7. After the spark plug is seated, tighten with a spark plug wrench to compress the washer.

If installing a new spark plug, tighten 1/2 turn after the spark plug seats to compress the washer. If reinstalling a used spark plug, tighten 1/8–1/4 turn after the spark plug seats to compress the washer.

NOTICE

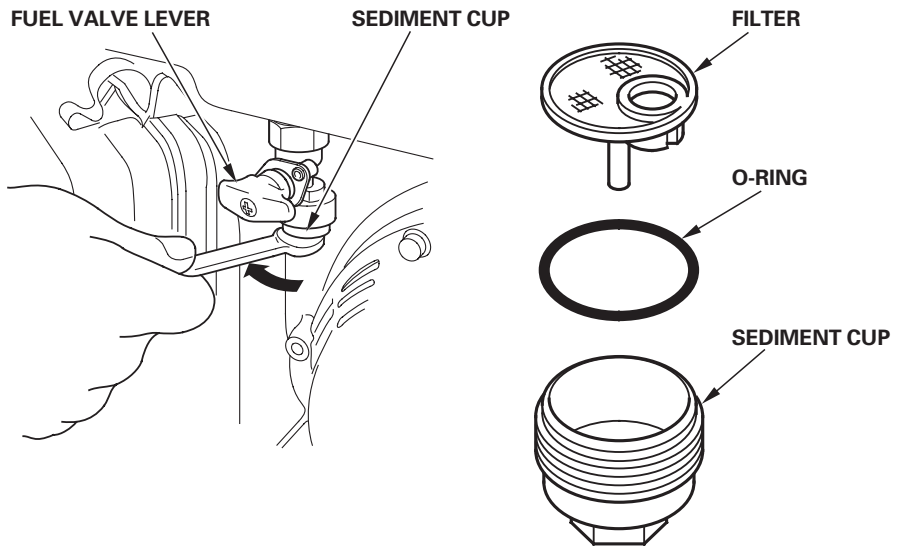
The spark plug must be securely tightened. An improperly tightened spark plug can become very hot and could damage the engine. Never use spark plugs which have an improper heat range. Use only the recommended spark plugs or equivalent.

8. Reinstall the spark plug cap on the spark plug securely.

FUEL SEDIMENT CUP CLEANING

The sediment cup prevents dirt or water which may be in the fuel tank from entering the carburetor. If the engine has not been run for a long time, the sediment cup should be cleaned.

1. Turn the engine switch to the OFF position.
2. Turn the fuel valve lever to the OFF position.
3. Unscrew the sediment cup.
4. Clean the sediment cup, O-ring, and filter in nonflammable or high flash point solvent.
5. Reinstall the filter, O-ring, and sediment cup.
6. Turn the fuel valve lever ON and check for leaks.

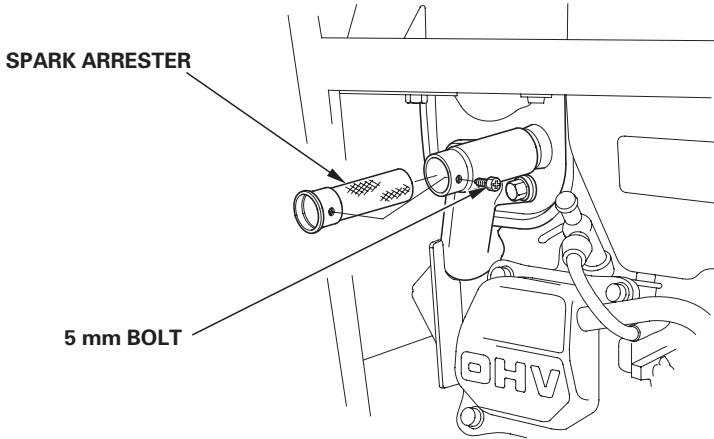


SPARK ARRESTER MAINTENANCE

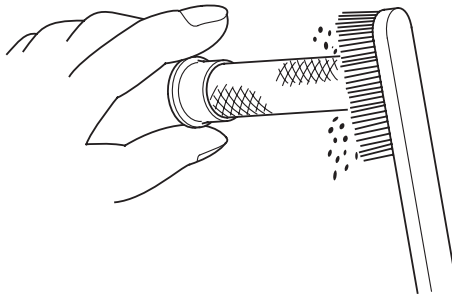
If the generator has been running, the muffler will be very hot. Allow it to cool before proceeding.

The spark arrester must be serviced every 100 hours to maintain its efficiency.

1. Remove the 5 mm bolt, and remove the spark arrester from the muffler.



2. Use a brush to remove carbon deposits from the spark arrester screen.



3. Inspect the screen for breaks or tears and replace it if necessary.
4. Install the spark arrester in the reverse order of removal.

TRANSPORTING/STORAGE

TRANSPORTING

If the generator has been used, allow it cool for at least 15 minutes before loading the generator on the transport vehicle. A hot engine and exhaust system can burn you and can ignite some material.

When transporting the generator, turn the engine switch and the fuel valve lever OFF, and keep the generator level to reduce the possibility of fuel leakage.

Take care not to drop or strike the generator when transporting. Do not place heavy objects on the generator.

STORAGE

Before storing the unit for an extended period:

1. Be sure the storage area is free of excessive humidity and dust.
2. Service according to the table below:

STORAGE TIME	RECOMMENDED SERVICE PROCEDURE TO PREVENT HARD STARTING
Less than 1 month	No preparation required
1 to 2 months	Fill with fresh gasoline and add gasoline stabilizer *.
2 months to 1 year	Fill with fresh gasoline and add gasoline stabilizer *. Drain the carburetor float bowl (page 47). Drain the fuel sediment cup (page 43).
1 year or more	Fill with fresh gasoline and add gasoline stabilizer *. Drain the carburetor float bowl (page 47). Drain the fuel sediment cup (page 43). Remove the spark plug. Put a tablespoon of engine oil into the cylinder. Turn the engine slowly with the starter grip to distribute the oil. Reinstall the spark plug. Change the engine oil (page 38). After removal from storage, drain the stored gasoline into a suitable container, and fill with fresh gasoline before starting.
* Use gasoline stabilizers that are formulated to extend storage life. Contact your authorized Honda generator dealer for stabilizer recommendations.	

Storage Procedure

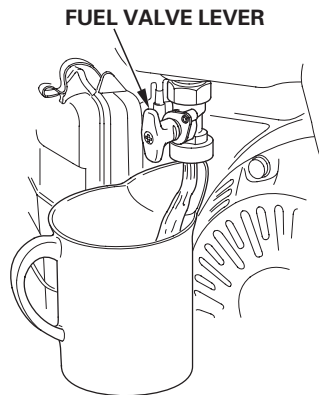
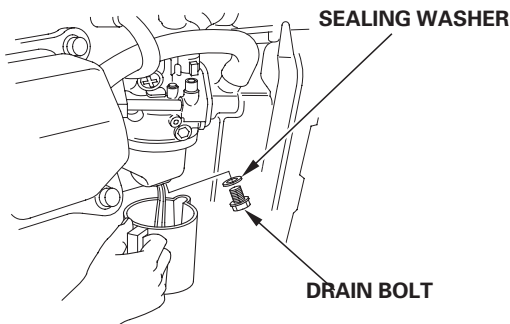
1. Drain the fuel tank, the carburetor and the fuel sediment cup.
 - a. Remove the carburetor drain bolt and sealing washer.
 - b. Drain the gasoline from the carburetor into a suitable container.
 - c. Install the sealing washer to the drain bolt and tighten the carburetor drain bolt.
 - d. Turn the fuel valve lever OFF and drain the fuel sediment cup.
 - e. Turn the fuel valve lever ON and drain the gasoline from the fuel tank into a suitable container.
 - f. Install and tighten the fuel sediment cup securely.
 - g. Turn the fuel valve lever OFF.

▲WARNING

Gasoline is highly flammable and explosive.

You can be burned or seriously injured when handling fuel.

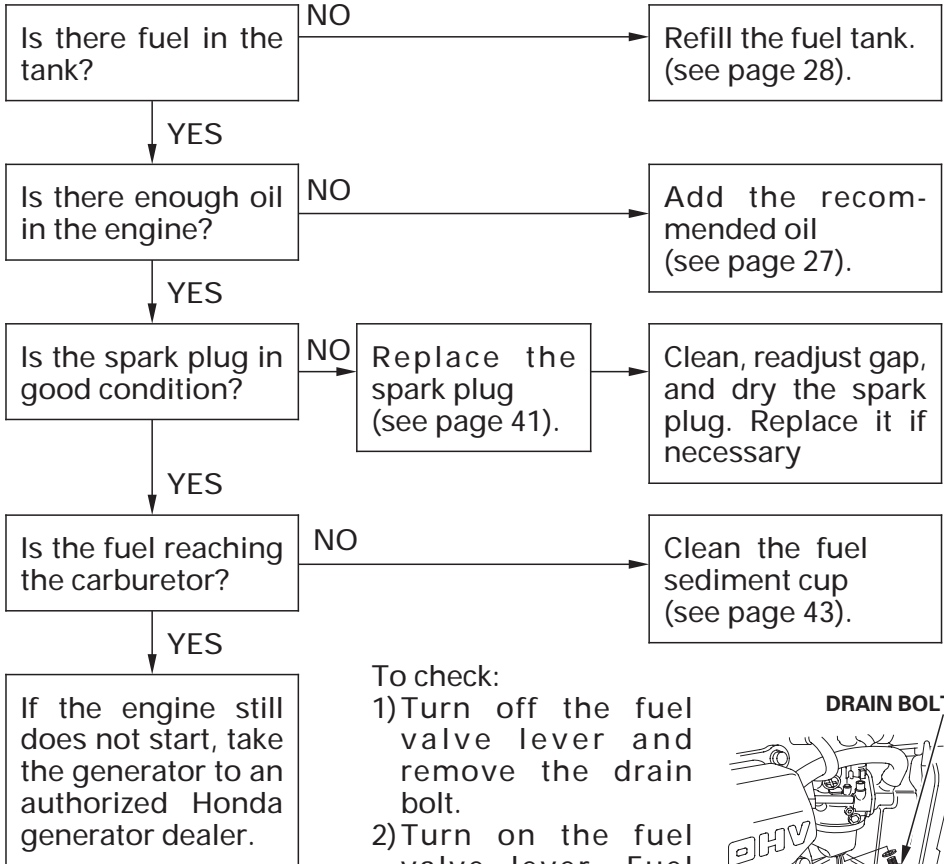
- **Keep heat, sparks, and flame away.**
- **Handle fuel only outdoors.**
- **Wipe up spills immediately.**



2. Change the engine oil (page 38).
3. Remove the spark plug, and pour about a tablespoon of clean engine oil into the cylinder. Crank the engine several revolutions to distribute the oil, then reinstall the spark plug.
4. Slowly pull the starter grip until resistance is felt. At this point, the piston is coming up on its compression stroke and both the intake and exhaust valves are closed. Storing the engine in this position will help to protect it from internal corrosion.

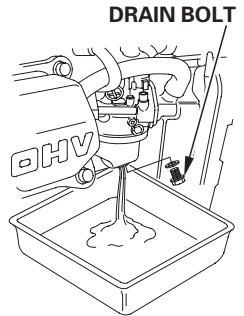
TROUBLESHOOTING

When the engine will not start:

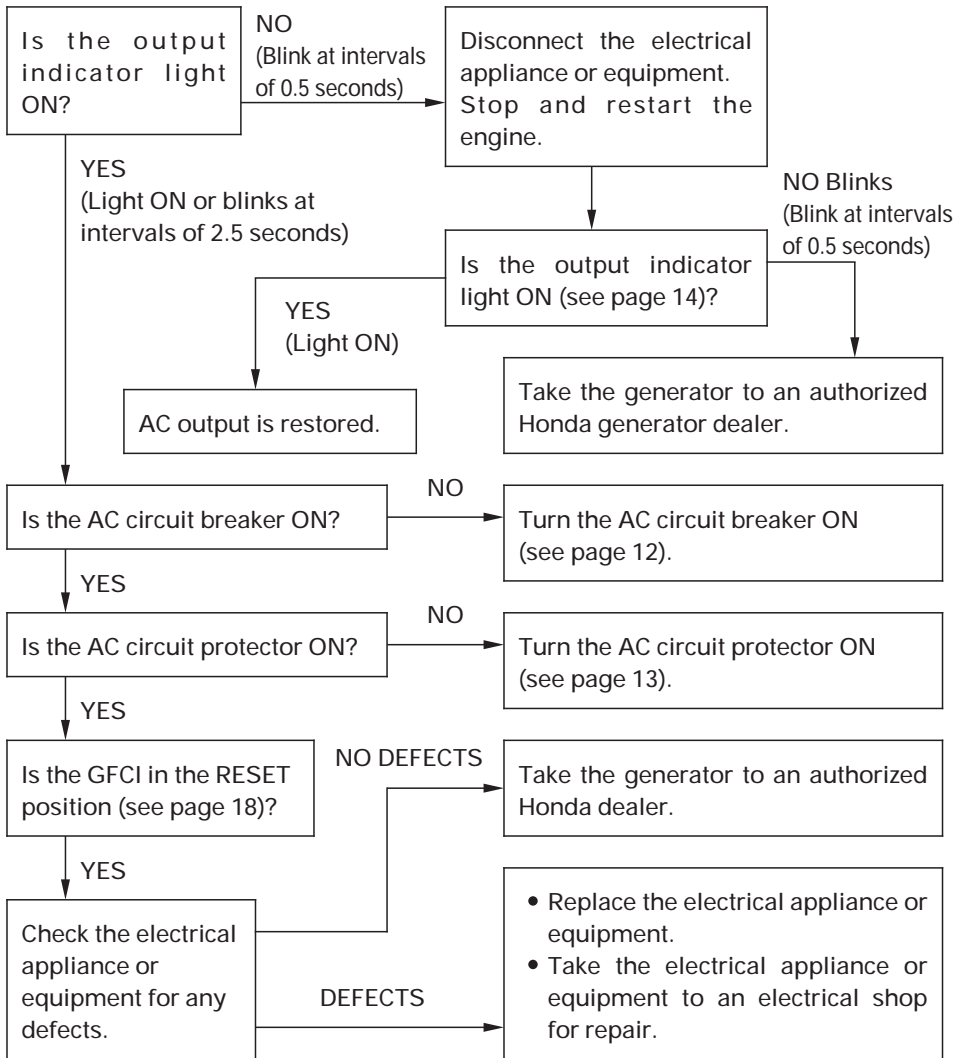


To check:

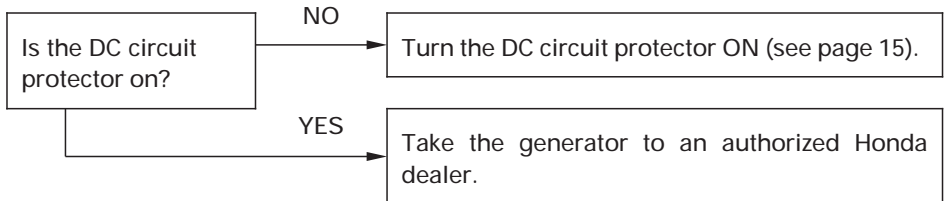
- 1) Turn off the fuel valve lever and remove the drain bolt.
- 2) Turn on the fuel valve lever. Fuel should flow from the drain.



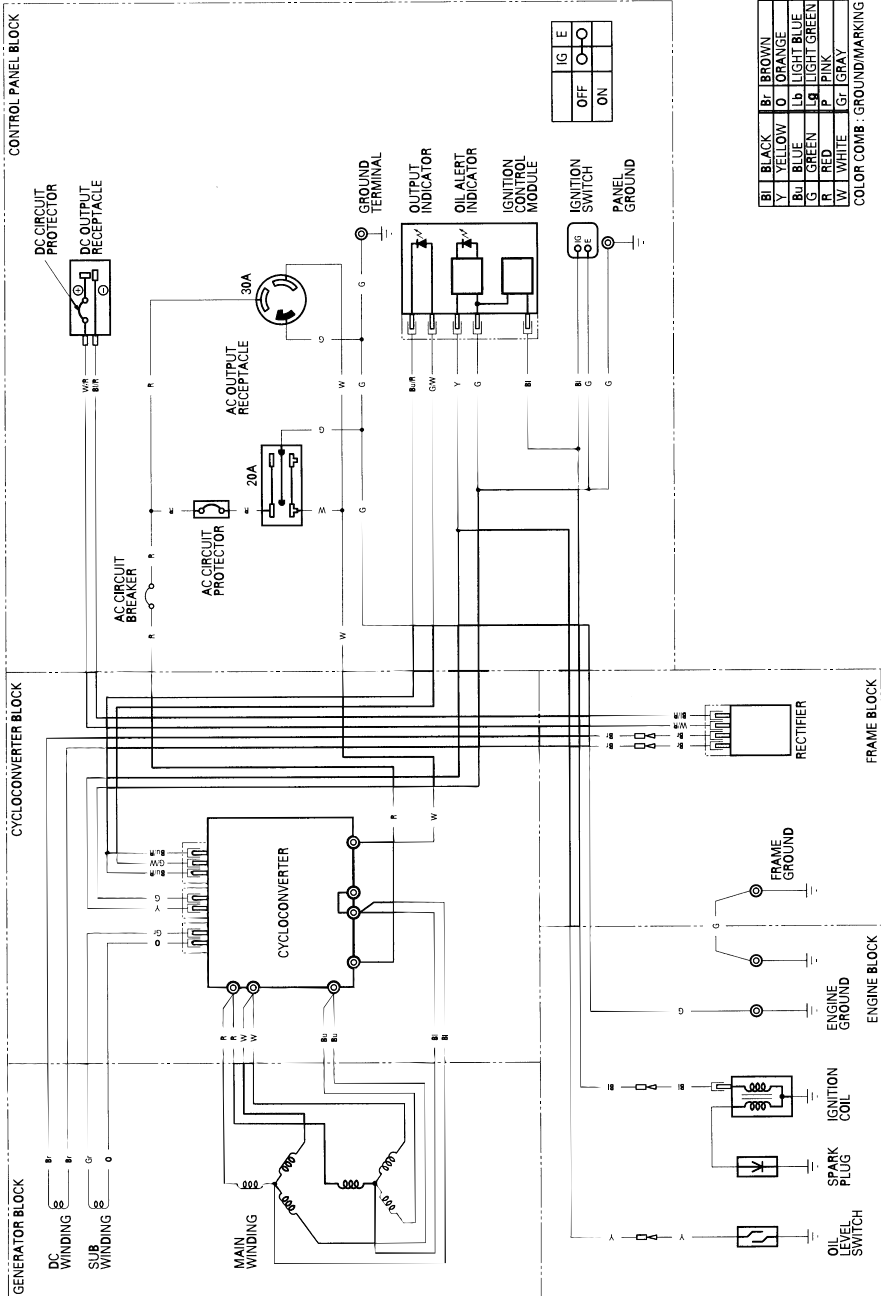
Appliance does not operate:



No electricity at the DC receptacle:



WIRING DIAGRAM



SPECIFICATIONS

Dimensions

Model	EB3000c	
Type	California type (AC type)	Non-California type (AN type)
Description code	EZGP	
Length	17.5 in (445 mm)	
Width	15.8 in (402 mm)	
Height	18.9 in (480 mm)	
Dry weight	69.4 lbs (31.5 kg)	68.3 lbs (31.0 kg)

Engine

Model	GX200
Engine type	4-stroke, overhead valve, single cylinder (25°-inclined)
Displacement [Bore x Stroke]	12.0 cu-in (196 cm ³) [2.7 × 2.1 in (68 × 54 mm)]
Compression ratio	8.5 : 1
Engine speed	3,600 rpm
Cooling system	Forced air
Ignition system	Transistorized magneto
Oil capacity	0.58 US qt (0.55 ℓ)
Fuel tank capacity	2.56 US gal (9.7 ℓ)
Spark plug	BPR6ES (NGK) · W20EPR-U (DENSO)

Generator

Model	EB3000c	
Type	California type (AC type)·Non-California type (AN type)	
AC output	Rated voltage	120 V
	Rated frequency	60 Hz
	Rated current	21.7 A
	Rated output	2.6 kVA
	Maximum output	3.0 kVA
DC output	Only for charging 12V automotive batteries. Maximum charging output=12A	

Tune-up Specifications

ITEM	SPECIFICATION	MAINTENANCE
Spark plug gap	0.028 – 0.031 in (0.70 – 0.80 mm)	Refer to page 41
Valve clearance	IN: 0.15 ± 0.02 mm (cold) EX: 0.20 ± 0.02 mm (cold)	See your authorized Honda dealer.
Other specifications	No other adjustments needed.	

NOTE:

Specifications may vary according to the types, and are subject to change without notice.

WARRANTY SERVICE INFORMATION

Dealer Locator Information

To find an authorized Honda Servicing Dealer anywhere in the United States:

Visit our website:
www.hondapowerequipment.com

Customer Service Information

Servicing dealership personnel are trained professionals. They should be able to answer most questions you may have. If you encounter a problem that your dealer does not solve to your satisfaction, please discuss it with the dealership's management. The Service Manager or General Manager can help. Almost all problems are solved in this way.

If you are dissatisfied with the decision made by the dealership's management, contact the Honda Power Equipment Customer Relations Office. You can write to:

American Honda Motor Co., Inc.
Power Equipment Division
Customer Relations Office
4900 Marconi Drive
Alpharetta, Georgia 30005-8847

Or telephone: (770) 497-6400 8:30 am to 7:00 pm ET

When you write or call, please give us this information:

- Model and serial number (see page 9)
- Name of dealer who sold the generator to you
- Name and address of dealer who services your generator
- Date of purchase
- Your name, address, and telephone number
- A detailed description of the problem

Honda Publications

Shop Manual

This manual covers complete maintenance and overhaul procedures. It is intended to be used by a skilled technician.

Available through your Honda dealer or through Helm Inc. at 1 888-292-5395 or visit www.hondapowerequipment.com

Parts Catalog

This manual provides complete, illustrated parts lists. Available through your Honda dealer.

Accessories Catalog

Your authorized Honda power equipment dealer offers a wide selection of accessories (optional equipment) to make your generator even more useful.

Visit www.hondapowerequipment.com and click on Generators and Welders to see the entire catalog of accessories.

Especially popular accessories include:

- Covers
- Spill-proof gasoline cans
- Battery charging cords
- Transfer switches and kits
- Plugs and connectors

INDEX

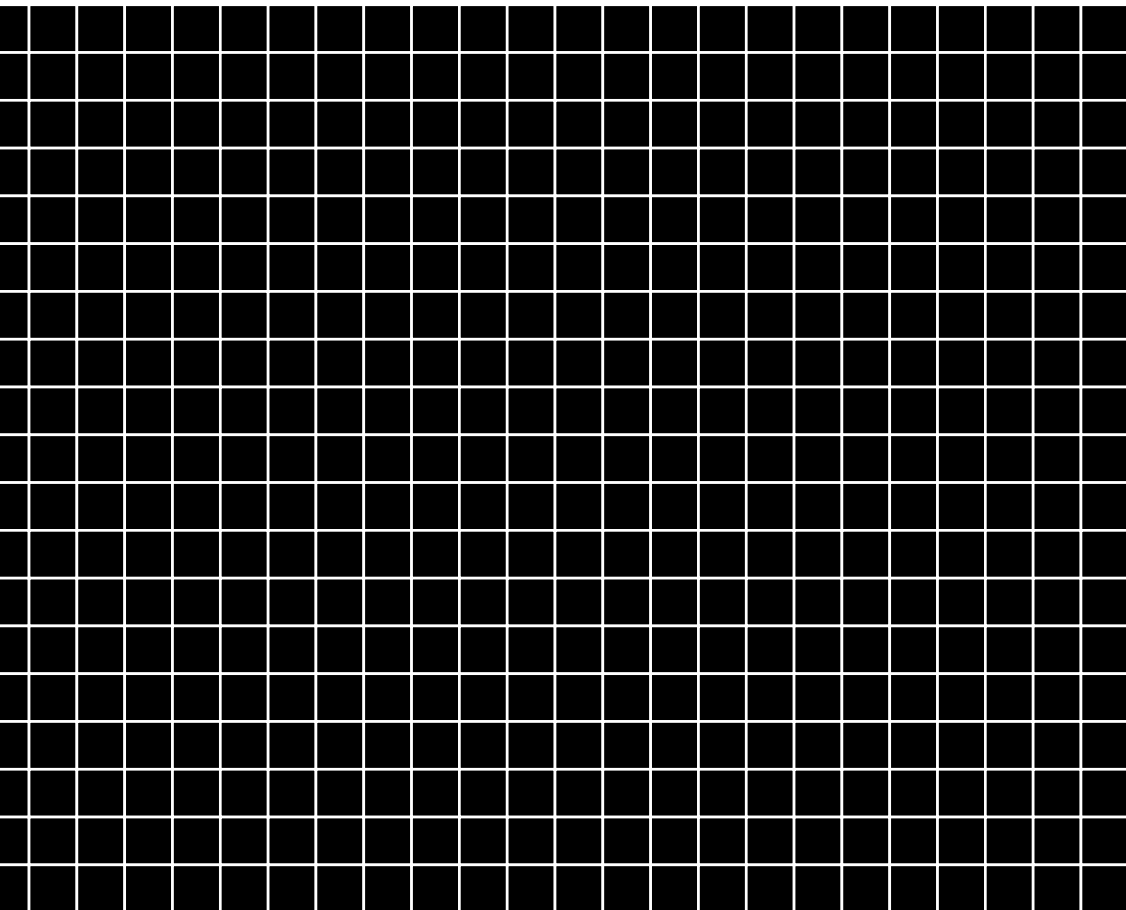
COMPONENT IDENTIFICATION	8
CONTENTS	3
CONTROLS	10
AC Circuit Breaker	12
AC Circuit Protector	13
Choke Rod	11
DC Circuit Protector	15
DC Receptacle	15
Engine Switch	10
Fuel Valve Lever	11
Ground Fault Circuit Interrupter (GFCI) Receptacle	18
Ground Terminal	16
Oil Alert® System	17
Output Indicator Light	14
Starter Grip	10
GENERATOR SAFETY	5
Important Safety Information	6
Safety Label Locations	5
GENERATOR USE	21
AC Applications	22
AC Operation	23
Connections to a Building Electrical System	21
DC Operation	24
Ground System	21
High Altitude Operation	26
Special Requirements	21
MAINTENANCE	32
Air Cleaner Service	39
Air Index	36
Emission Control System Information	34
Engine Oil Change	38
Fuel Sediment Cup Cleaning	43
Maintenance Safety	33
Maintenance Schedule	37
Spark Arrester Maintenance	44
Spark Plug Service	41
The Importance of Maintenance	32
PRE-OPERATION CHECK	27
Engine Oil	27
Fuel Recommendations	29
Refueling	28

SPECIFICATIONS	51
STARTING THE ENGINE	30
STOPPING THE ENGINE	31
TRANSPORTING/STORAGE	45
Storage	46
Transporting	45
TROUBLESHOOTING	48
WARRANTY SERVICE INFORMATION	52
Customer Service Information	52
Dealer Locator Information	52
Honda Publications	53
WIRING DIAGRAM	50

MEMO

HONDA

The Power of Dreams



31Z03710
00X31-Z03-7100

EM4 K1 (AH) (英) (N) (HC) 1000.2007.02
(Hi) Printed in Japan